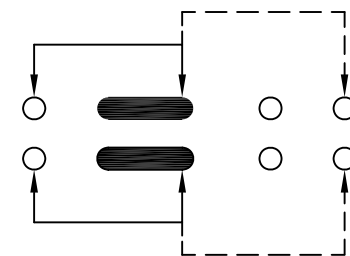
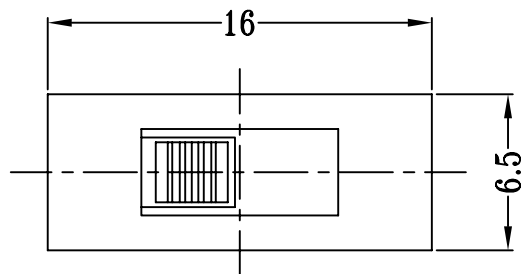
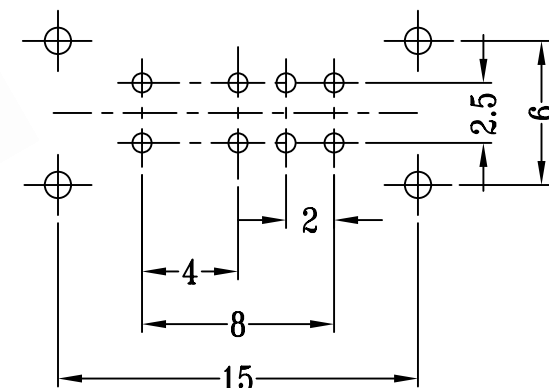
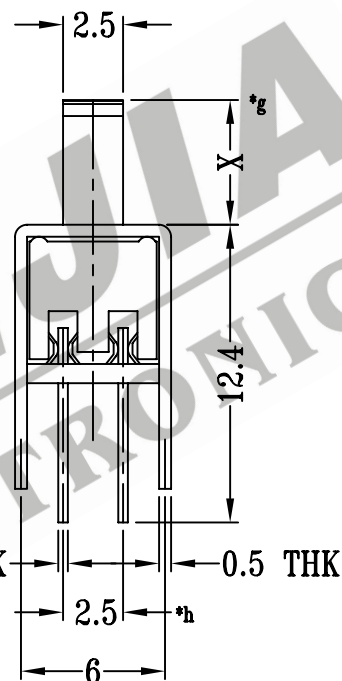
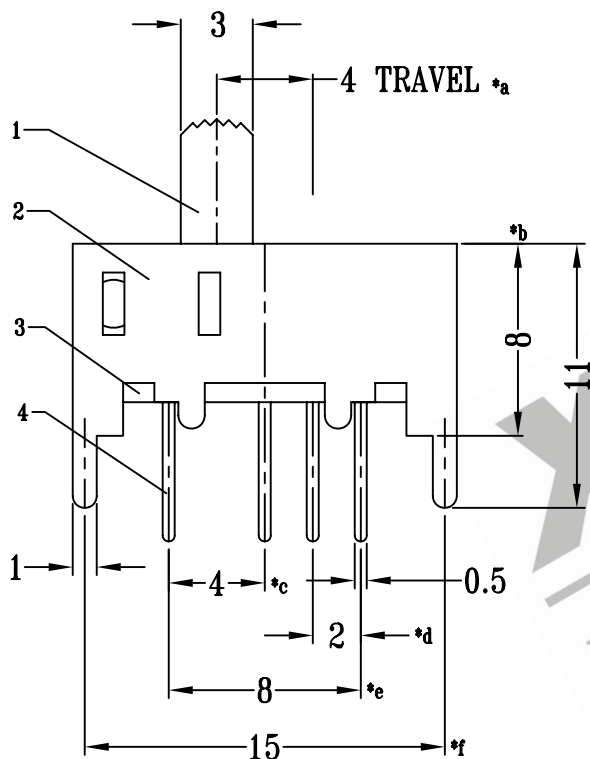




CAD FILE:



SCHEMATIC (NON-SHORTING)



P.C.B LAYOUT

注:带\*表示关键尺寸(8个)

| NO. | PARTS        | MATERIALS      | Q'TY | FINISH                   | TOLERANCE<br>UNLESS SPECIFIED           | SHENZHEN XIEJIA ELECTRONICS CO.,LTD. |                            |           |                          |  |       |
|-----|--------------|----------------|------|--------------------------|---|--------------------------------------|----------------------------|-----------|--------------------------|--|-------|
| 8   |              |                |      |                          |   | WITHIN: 1.5±0.1mm<br>OVER: 1.5±0.2mm | ISSUE                      | DATE      | DESCRIPTIONS OF REVISION |  | APPD. |
| 7   | STEEL BALL   | STEEL          | 1    | NATURAL                  |   |                                      |                            |           |                          |  |       |
| 6   | SPRING       | STEEL WIRE     | 1    | TEMPER                   |   |                                      |                            |           |                          |  |       |
| 5   | CONTACT CLIP | PBS STRIP      | 2    | Ag PLATED                |   |                                      |                            |           |                          |  |       |
| 4   | TERMINAL     | BRASS STRIP    | 8    | Ag PLATED OVER Ni PLATED | TITLE : VERTICAL SLIDE SWITCH           | UNIT : mm                            | DRWG NO.: XJ-DR-SS22H02-00 |           |                          |  |       |
| 3   | BASE         | PHENOLIC RESIN | 1    | NATURAL                  | MODEL: SS-22H02                         | SCALE: 3:1                           | DWN.                       | ZHOUYU    | 2002-4-10                |  |       |
| 2   | FRAME        | STEEL STRIP    | 1    | Ni PLATED                | ALL MATERIALS MUST BE COMPLIANT TO ROHS |                                      | CHK'D                      | FANGYING  | 2002-4-10                |  |       |
| 1   | KNOB         | POM            | 1    | BLACK                    |   |                                      | APPD.                      | KANGXINAN | 2002-4-10                |  |       |